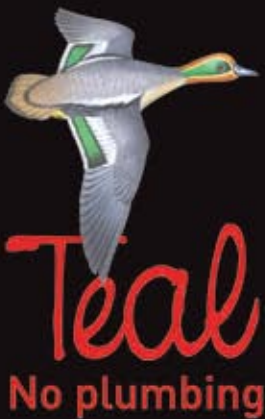


Hygienic Hot Water Hand Washing re-invented by Teal



The entirely new **Hygienius™**



The best hot water hand wash in the world



The Problems with Hand Wash Basins

All need **Expensive and Wasteful** plumbing connected to hot and cold water services and to waste water drainage

Only some have

- HANDS FREE operation
- washing under RUNNING water
- INSTANTANEOUSLY heated hot water
- water always at the IDEAL TEMPERATURE
- spray heads giving COMPLETE HAND COVERAGE
- hot water delivery WITHOUT SPLASHING






Hygienius™

Only TEAL HYGIENIUS™ hot water hand wash station has all these features and **MUCH MORE.**

TEAL HYGIENIUS™ couldn't be simpler to use.

Just place your hands **in the bowl** and in a few seconds, **when the unique TEAL Bluesensor stops flashing**, it will deliver the WASH of a LIFETIME.

Need an extra rinse; what could be simpler – just repeat the process.

HYGIENIUS™ delivers 50 - Ten Second Hot Washes per filling of the 10 litre TEALTainer®.

TEAL HYGIENIUS™ is fully automatic and needs no adjustment.

TEAL HYGIENIUS™ is entirely self contained; it just needs a 10 amp power socket.

TEAL HYGIENIUS™ needs NO PLUMBING.

TEAL Hygienius™ is a GO ANYWHERE
Hot Water Hand Wash Station





Hygienic hand washing Re-invented by TEAL Hygienius™

Spray head delivers hot water at low pressure.
No Splashing

Place hand in the bowl to initiate the 10 second wash.

Water at ideal temperature of 40-45°C - not too hot and not too cold

TEAL Bluesensor

Starts and stops automatically. No switches and nothing to adjust

Bowl of Acrylic capped ABS

Automatic 'over heat' safety cut out

2Kw Instantaneous Heater electronically controlled.

Purge button

2 metre power lead with moulded 10 amp plug

'Stand by mode' power consumption less than 1 watt

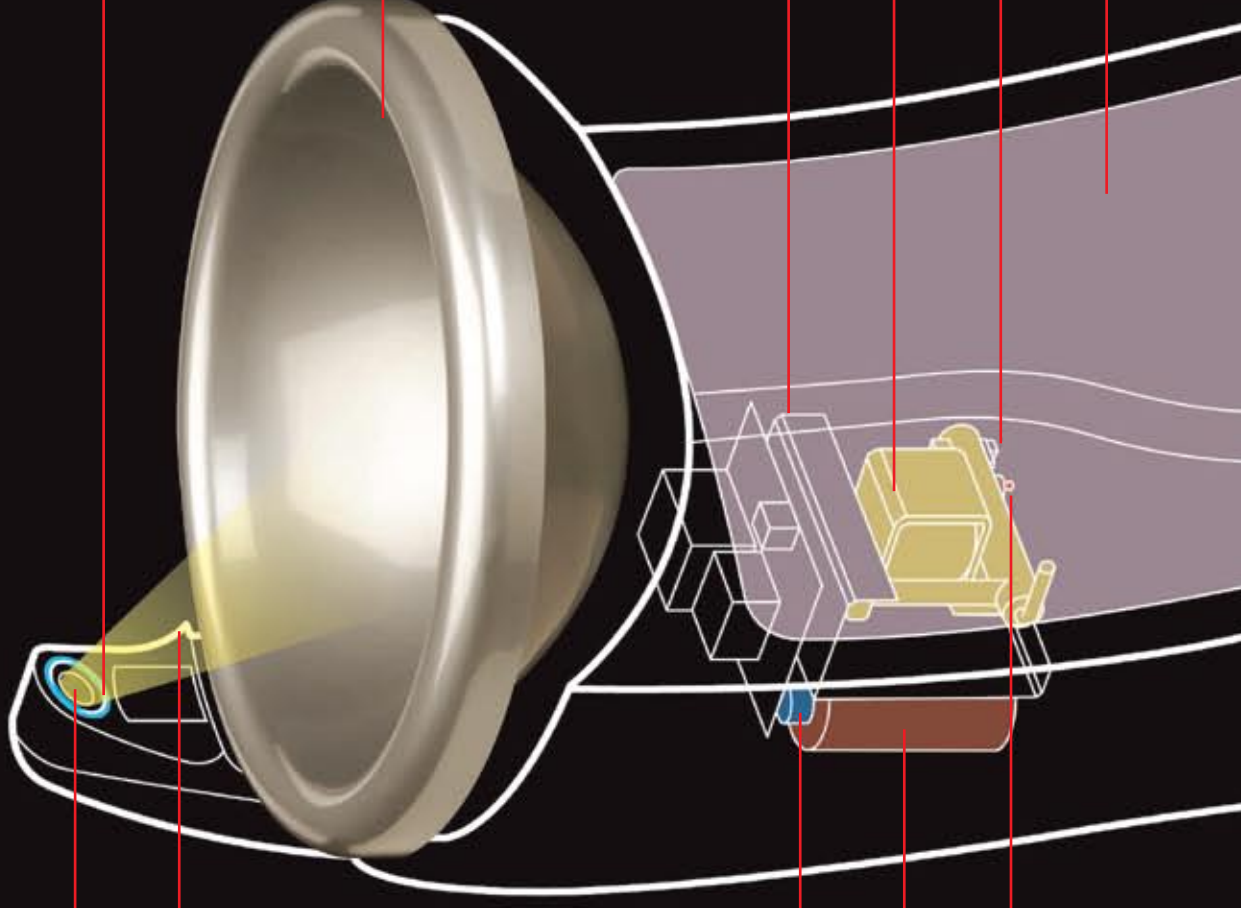
Power box

Tough water pump for a long and reliable life

On/Off switch

Unique illuminated display 'Hot Water Hand Wash'

Liquid soap and paper towel holders as standard



Wire retaining
bracket for TEALtainer®

TEALtainer Twin Bag holds
10 litres of fresh water and
separate waste bag takes
the whole 10 litres of used
dirty water.

Tough, easy clean exterior
in High Impact Polyethylene

Just place your hand in the bowl and the
TEAL Bluesensor will flash showing that
the wash water is heating. After 3-5
seconds your Hygienius™ will deliver the
most delightful 10 second wash and at
exactly the right temperature.

Want an extra scrub or rinse?

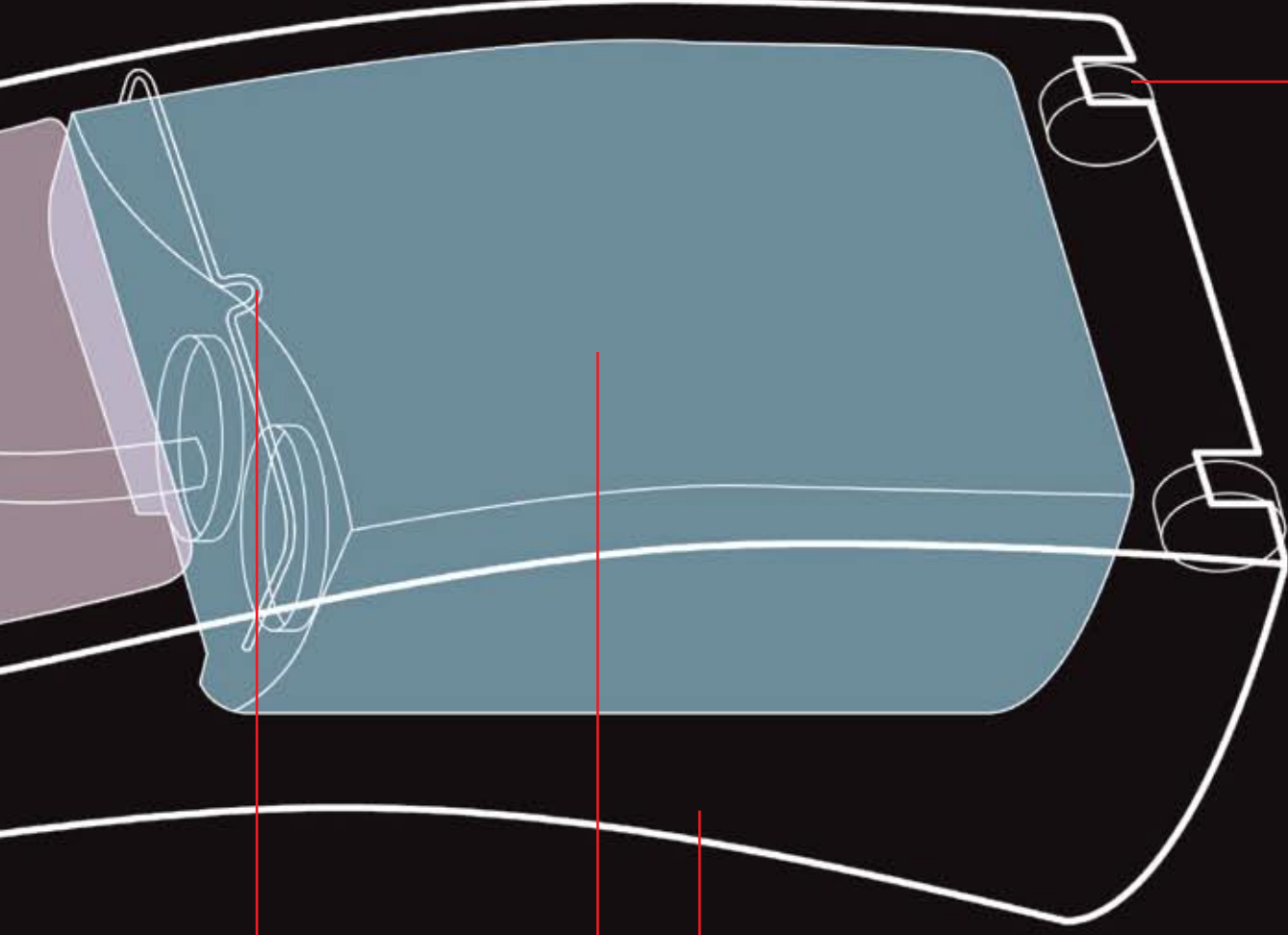
Then lift your hands from the bowl and
once the TEAL Bluesensor has relit repeat
the process and get a further 10 seconds
of the most satisfying wash you have
ever had.

No unhygienic taps or levers to re-contaminate clean hands

Concealed beneath the power box there is
an on/off switch and a separate push button
for use when cleaning.

Activating this button will result in a 5 minute
continuous flow of cold water.

It is recommended by the Infection Research
Laboratory at Birmingham City Hospital that
this is used every other day for disinfection
with a 500ppm chlorine solution.



Rollers for easy location



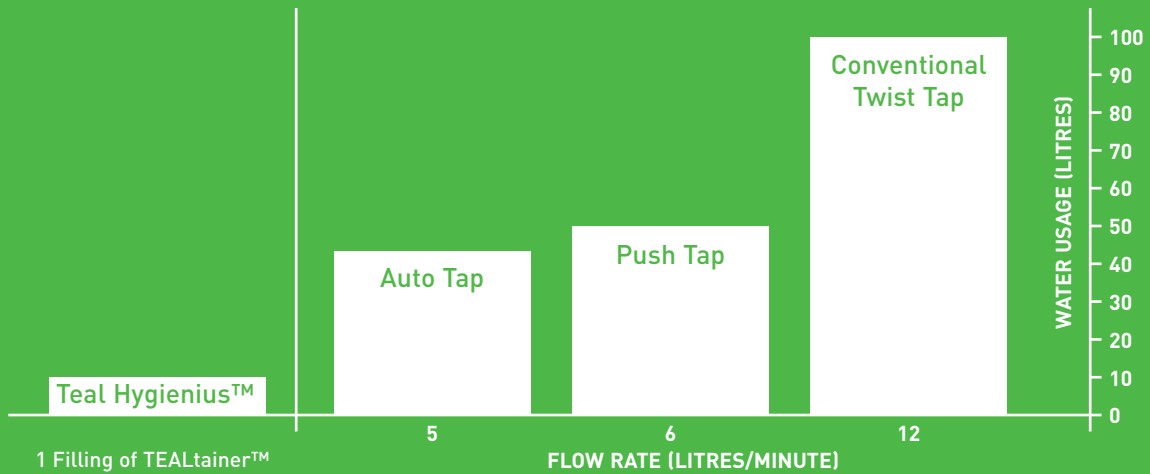
Teal
No plumbing



Hygienius™

Green Credentials

Water Usage for 50 ten second washes



Water use

For a ten second hot wash, Hygienius™ uses only a quarter of the amount of water needed in the most efficient conventional system.

Energy use

Less than 20% of the requirement of that for any other type of system with water heated to just the right temperature of 40-45°C.

No heat wasted in mixing hot and cold water and no massive heat losses from storage tanks, pipe work, taps and fittings.

There is a further unique energy saving bonus with both waste and fresh water separately contained in the TEALtainer™, heat is automatically transferred from the waste to the fresh water.



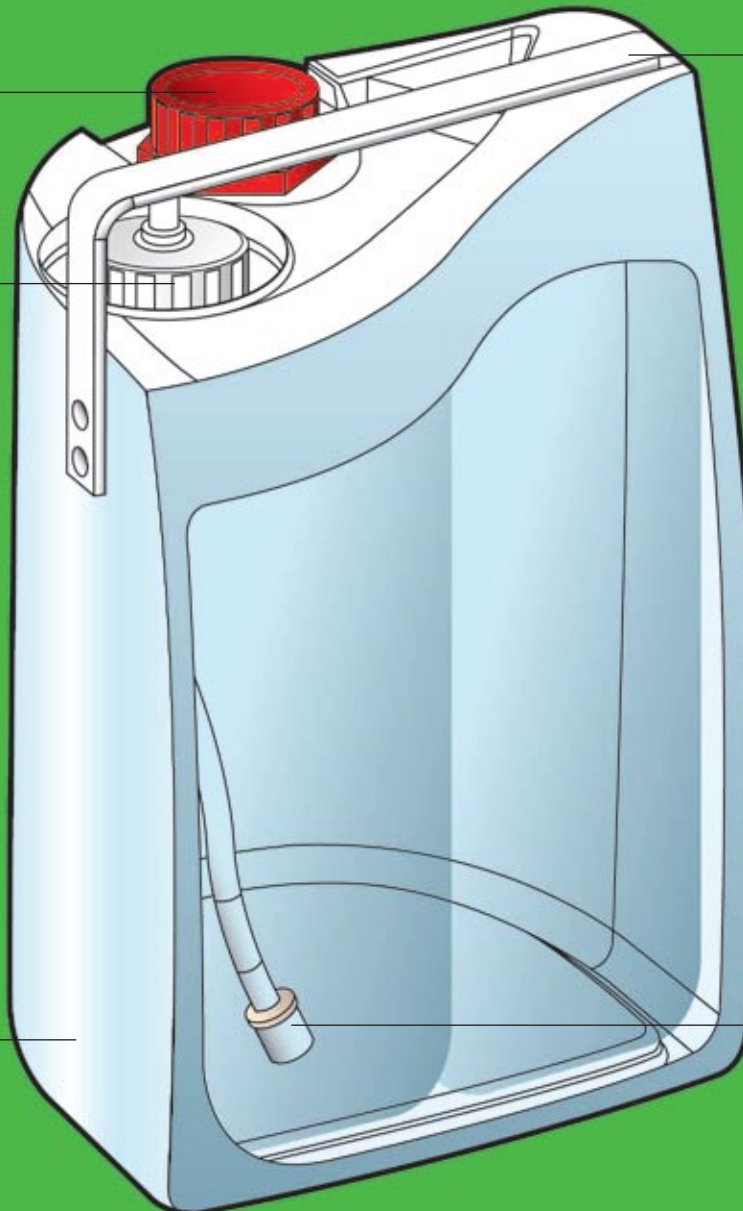
TEALtainer™ Twin Bag

Easy to Empty and Refill

Open red cap for receiving and emptying waste water

Removable white sealing cap for refilling with fresh clean water. Snap-on connector for fresh water feed pipe

Carrying handle



For total Hygiene, fresh and waste water are secured in separate heavy duty 10 litre LLDPE polyethylene bags.

Enjoy up to 50 - ten second washes per filling

Concise instructions for cleaning and maintenance attached

Weight with 10 litres of water 11Kg

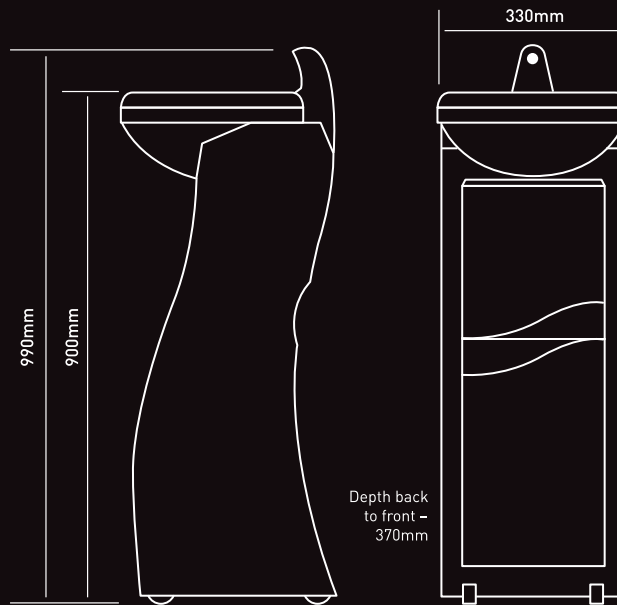
Robust moulded polyethylene enclosure

Filter for the fresh water dip pipe





Hygienius™



- Moulded in tough high impact Polyethylene with acrylic capped ABS bowl
- Fully automatic – no switches or buttons – nothing to adjust
- Instantaneous heating – water at the ideal temperature 40/45°C
- Enjoy up to approximately 50 ten second hot washes from each filling of the 10 litres TEALTainer™
- Unique illuminated display – ‘Hot Water Hand Wash’
- 2 metre power lead with moulded 10 amp plug
- Light weight for easy transportation

Delivered complete with:-
 Bracket for paper towels.
 Liquid Soap dispenser and bracket.

DIMENSIONS

Overall height	990mm
Height to bowl	900mm
Width	330mm
Dry Weight	7.65Kg

POWER

2kW Model 9A@ 230VAC

OPTIONAL EXTRAS



Heavy duty nylon carry bag

TEALTainer™



The manufacturer reserves the right to subject the product to change without notice.

☑ Meets EMC Regulations

Hygienius™ is a Registered Design

www.modulstor.ro

Modul-Stor Hungary Kft.
 8200 Veszprém, Hungary
 E-mail: atelieremobile@yahoo.com
 Tel: +4-0745-554786

The best hot water hand wash in the world

Manufactured by Teal Patents Ltd, Unit 2, Waterloo Avenue, Chelmsley Wood Industrial Estate, Chelmsley Wood, Birmingham B37 6QQ, England

