

CLEAN HANDS for **EVERYONE** ANYWHERE



TEALwash®



HOT WATER HAND WASHING ON THE

The Law demands action on staff health and welfare –

TEALwash® 12 and TEALwash® 24 provide the answers.

TEALwash® is designed for use on commercial vehicles including:-

- Service vans
- Waste lorries
- Emergency response vehicles
- Catering vans

In fact anywhere that hand hygiene on the move is a necessity.



Real Hand Hygiene

The unique 7-jet spray means a thorough handwash under hot, running water, at just the right temperature.

An end to washing and rinsing in basins full of tepid, scummy suds. The 7-jet spray head means many more washes; more than **twenty**, twelve-second hand washes from each filling of the 5 litre water tank.



Designed and made to last

Bowl, tank and lid are double skinned and moulded in high impact resistant polyethylene. Assured toughness and durability with better insulation for the hot water.



MOVE

Safety and control

Electronic control means **NO DRAIN ON POWER**

- Fully automatic operation. No separate switch needed
- Heater only operates when engine is running and battery fully charged
- Fast heating; 2-3 hot washes in 10 minutes
- NO water safety 'Lock-Out'
- 43/46°C ideal water temperature

Options

Optional extras available for use with the TEALwash® unit:

- Water carriers
- Waste containers
- Soap dispensers
- Paper towel holders

Easy to fill and empty

Generous full opening lid for fast filling. Complete with 1m-25mm flexible waste tube.



Easy to install

Well located mounting holes help to position the unit in the right place, outside or inside the vehicle. Connect two 4mm wires directly to the battery using the fuse holder supplied (12 volt, 30 amp fuse and 24 volt, 20 amp fuse) and the red telltale light shows that **YOU'RE READY TO ROLL.**



TEALwash® 12 and TEALwash® 24 are E-marked in compliance with the European EMC Automotive Directive 95/54/EC.



The new TEALwash® sets new standards for staff health and hygiene and with high durability and 'fit and forget' features.

TEALwash® is a registered design.

TEALwash® 230

for Laboratories, toilets, factories and workshops



Wall mounted for operation on 230 mains voltage.

Built to comply with all current electrical and EMC regulations.

TEALwash® 230 has a 1.8m lead and a 10 amp moulded plug.



TEALwash® 230 requires NO fixed drainage or cold water service connections

MAX CAPACITY




5 litres of water

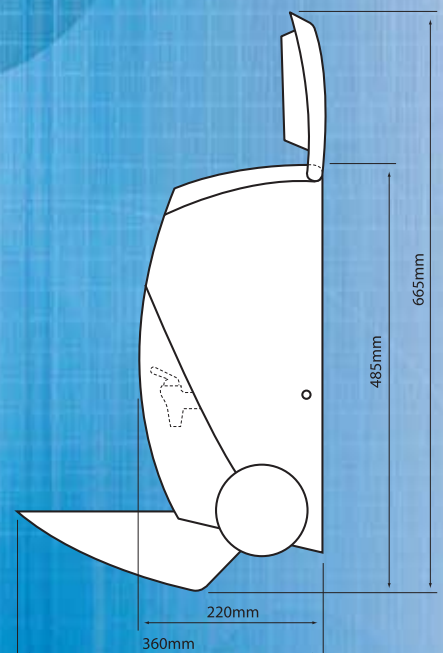
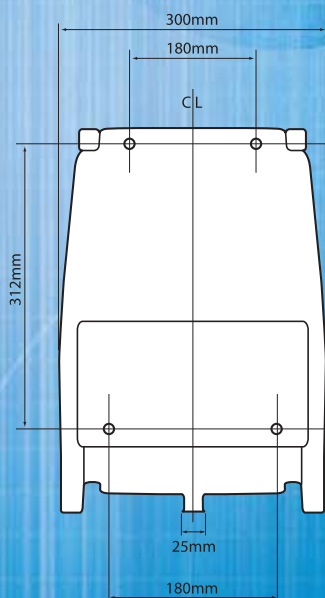
WEIGHT

Empty 4.7 kilos

Full 9.7 kilos

ELECTRICAL SPECIFICATION

	12v	300 watt	25 amp max
	24v	300 watt	15 amp max
	230v	500 watt	3 amp max



The manufacturer reserves the right to subject the product to change without notice.



www.modulstor.ro

Modul-Stor Hungary Kft.
8200 Veszprém, Hungary

E-mail: atelieremobile@yahoo.com

Tel.: +4-0745-554786

Manufactured by Teal Patents Ltd, Unit 2, Waterloo Avenue,
Chelmsley Wood Industrial Estate, Chelmsley Wood, Birmingham B37 6QQ, England

